

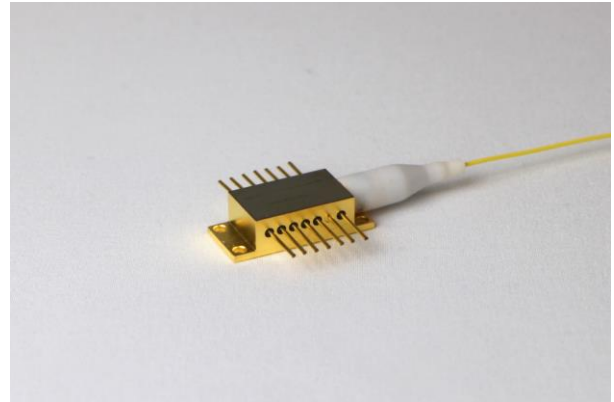
## 808nm Wavelength Stabilized Laser Diode

### Features

- 3.5W output power
- Narrow linewidth
- 105µm fiber core
- TEC, photodiode and thermistor

### Application

- Solid-state laser pumping



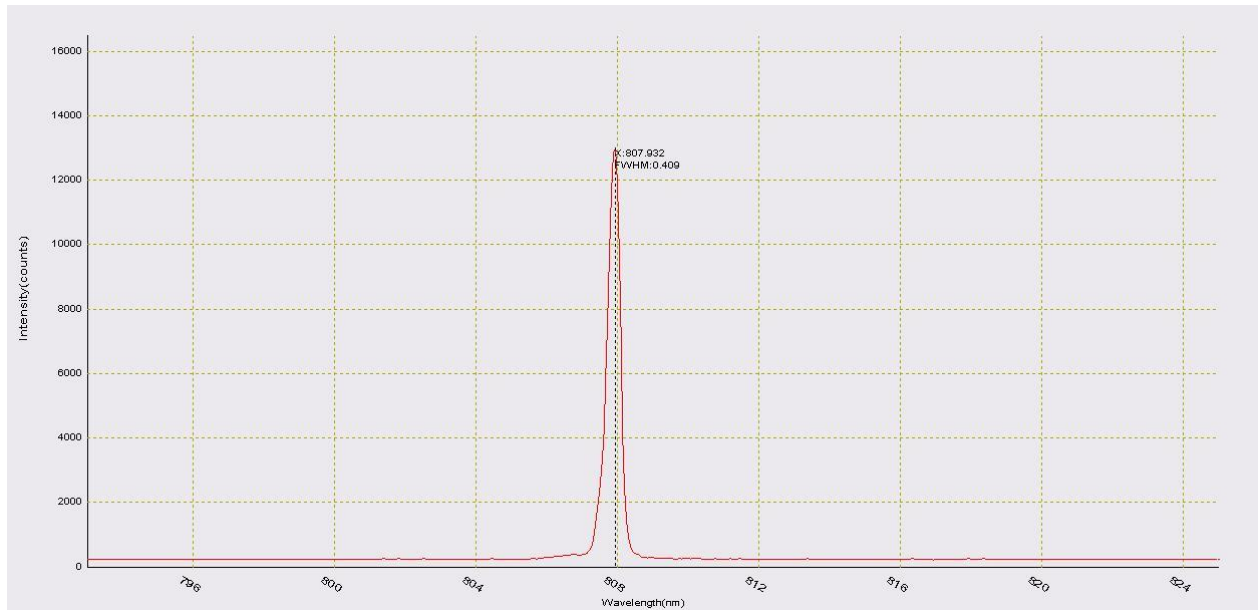
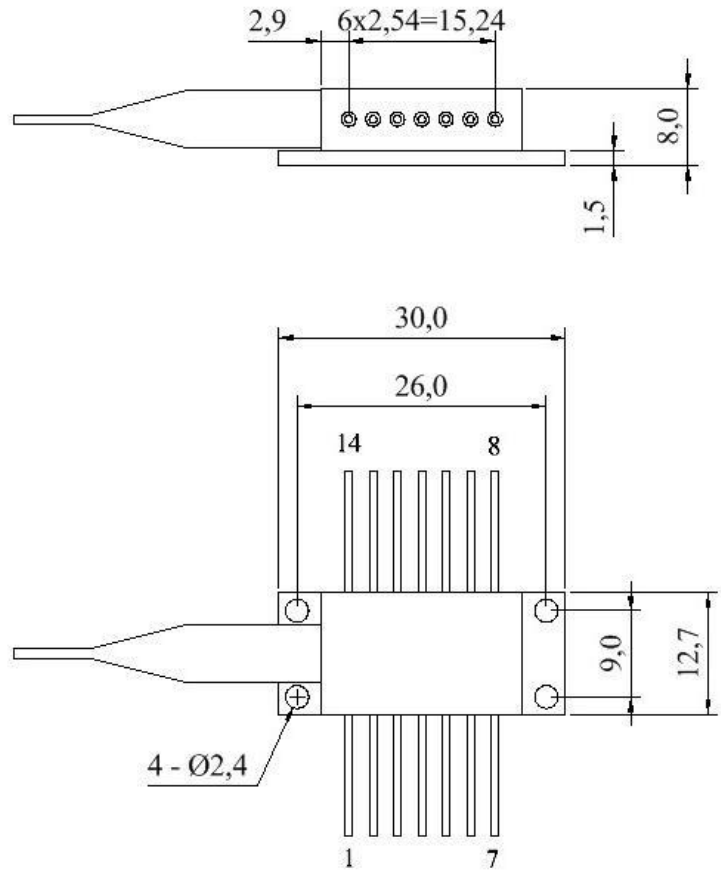
Model		M808±0.5-3.5-F105/22-R1-TP		
Optical *	Unit	Min	Typical	Max
Output power	W	3.0	3.5	
Central wavelength	nm	807.0	808.0	809.0
Spectral width (FWHM)	nm			0.6
Fiber				
Core diameter	µm	102	105	108
Numerical aperture	-	0.20	0.22	0.24
Length	cm	48.5	50.0	
Connector (optional)	-		SMA905, FC/PC	
Electric *				
Threshold current	A		0.9	1.0
Operating current	A		4.4	5.0
Operating voltage	V		1.90	1.95
Slope efficiency	W/A		1.0	
Accessories				
TEC	-		2.2A/8.7V	
Thermistor	Ω		10k@25°C	
Absolute Ratings				
Operating (thermistor) temperature	°C		30 – 40	
Operating humidity	%		< 75	
Storage temperature	°C		-20 – +80	

\* At 30°C thermistor temperature

**Compliance with Regulatory Requirements:** This industrial laser is an OEM version of a laser diode. As such, it is intended only for integration into other equipment. This laser does not comply with IEC and CDRH requirements. The customer is responsible for IEC and CDRH certifications of the system that incorporates this industrial laser.



1	TEC anode
2	Thermistor
3	Photodiode P
4	Photodiode N
5	Thermistor
6	-
7	-
8	-
9	-
10	Laser diode anode
11	Laser diode cathode
12	-
13	Case </td
14	TEC cathode



LASER RADIATION  
 AVOID EYE OR SKIN EXPOSURE TO  
 DIRECT OR SCATTERED RADIATION  
 CLASS 4 LASER PRODUCT